

CASE FINISH	CURRENT (AMPS)	WORKING VOLTAGE				MAXIMUM DC RESISTANCE (OHMS)	MAXIMUM VOLTAGE DROP		MINIMUM CAPACITANCE (uF)	MIN. INSERTION LOSS PER MIL-STD-220, FULL LOAD, +25°C												
		-55°C TO +85°C		-55°C TO +125°C			DC	AC		14	30	50	75	100	150	300	500	1	10	100	1	10
		AC	DC	AC	DC					KHz	KHz	KHz	KHz	KHz	KHz	KHz	KHz	MHz	MHz	MHz	GHz	GHz
SILVER	15	125(400Hz)	200	125(400Hz)	150	0.005	---	---	---	---	---	---	12	---	20	41	---	65	---			

**PART MARKING:**

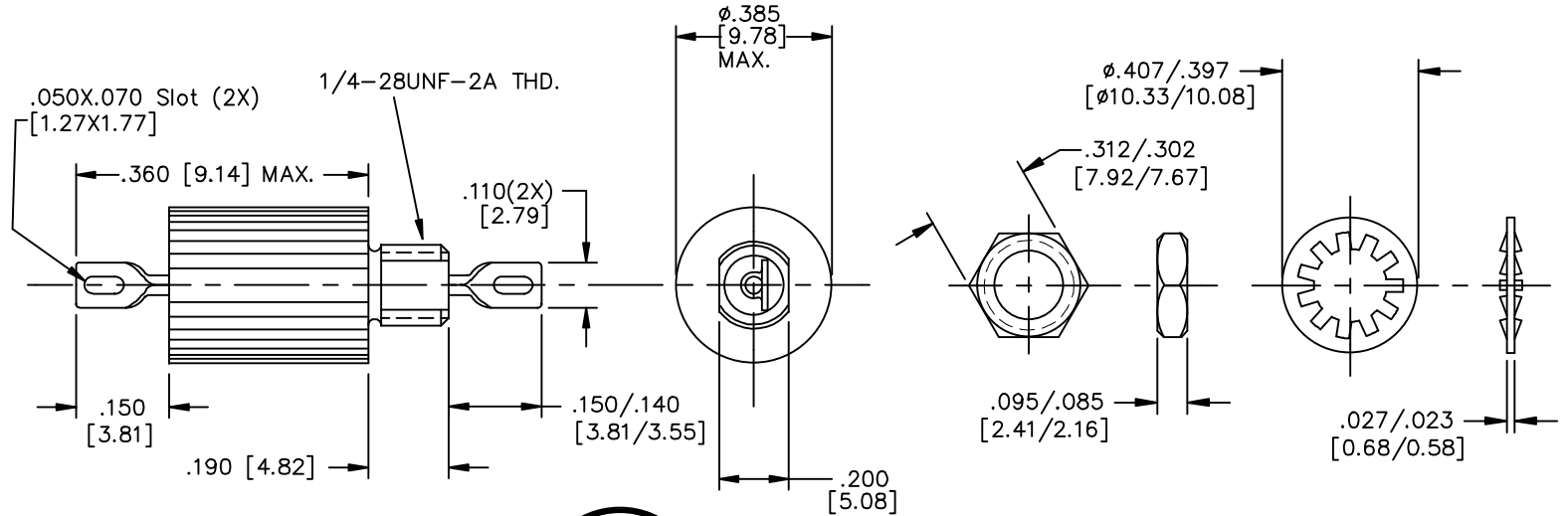
SCI  
9920F-100-6002  
DATE CODE

**PACKAGE MARKING:**

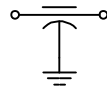
STANDARD

**MARKING NOTES:**

N/A



**SCHEMATIC**



**MTG. HARDWARE**

**NOTES:**

1) MOUNTING TORQUE NOT TO EXCEED 7in-lbs.

REV.	CHG. NOTICE	REV. NO.	UNLESS OTHERWISE SPECIFIED DIMENSIONS ARE IN INCHES. [MILLIMETERS] DO NOT SCALE.	TOLERANCES UNLESS OTHERWISE SPECIFIED	FAIRVIEW PENNSYLVANIA
0	CN 47838-ENG			Fractions ± Dec. .xx ± Dec. .xxx ± .010 Angles ±0° 30'	SPECTRUM CONTROL INC. Dwn. KAUFFMAN DATE 4-20-09 Description Low Pass EMI Filter
				CODE IDENT. NO. DLSP2	9920F-100-6002 Sheet 1 of 1

Quality Products From The Specialists In Electro-Magnetic Compatibility